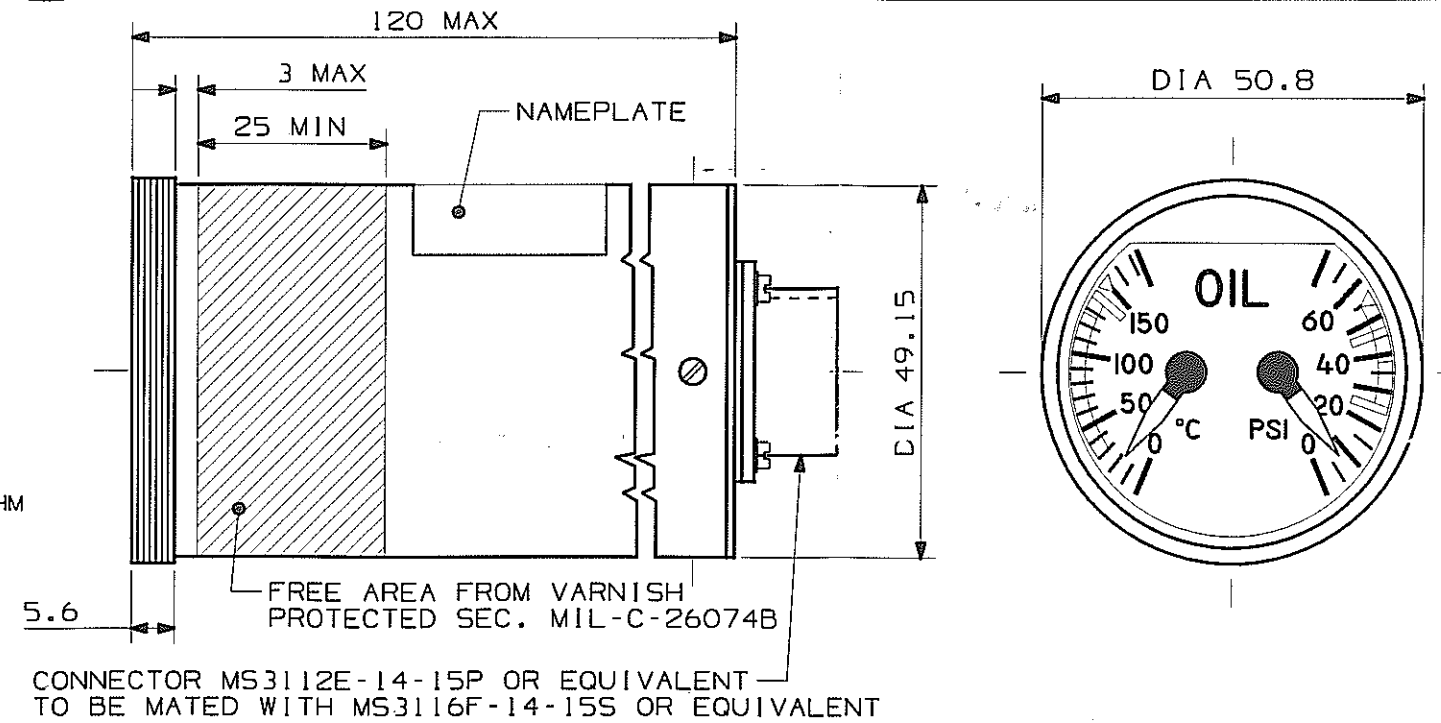
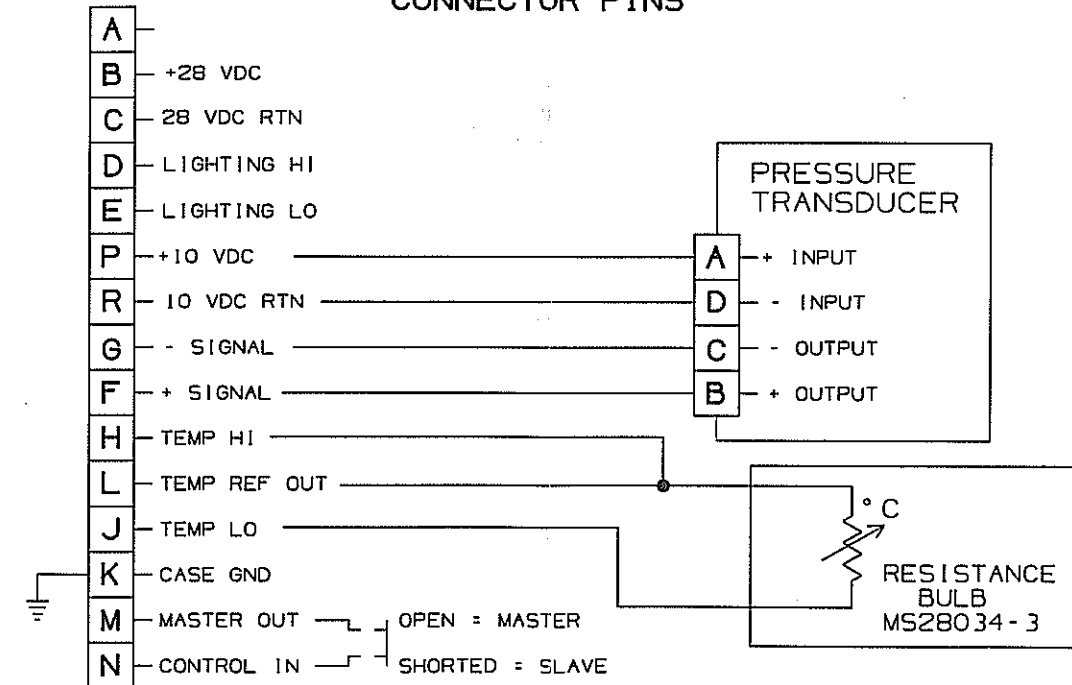


## TECHNICAL REQUIREMENTS

- |                              |   |
|------------------------------|---|
| 1) TYPE                      | : MOVING COIL, DUAL GALVANOMETER  |
| 2) RANGE                     | : 1) TEMP: FROM 0 TO 175°C (SCALE 135 DEGREES).<br>: 2) PRESS: FROM 0 TO 70 PSI (SCALE 135 DEGREES).<br>: ± 3% (± 2% F.S. AT AMBIENT TEMP.)   |
| 3) ACCURACY (% F.S.)         | : ± 3% (± 2% F.S. AT AMBIENT TEMP.)   |
| 4) FRICTION ERROR            | : +/- 2% MAX.   |
| 5) POSITION ERROR            | : +/- 2% MAX.   |
| 6) INPUT IMPEDANCE           | : /   |
| 7) SIGNAL SOURCE             | : 1) RESISTANCE BULB PER MS28034-3<br>: 2) PRESSURE TRANSDUCER 100 mV AT 100 PSI @ 10 VDC   |
| 8) CALIBRATION               | : 1) 0°C=90.38 OHM; 40°C=104.6 OHM; 80°C=120.36 OHM;<br>: 120°C=137.30 OHM; 150°C=151.91 OHM; 175°C=164.47 OHM<br>: 2) LINEAR, 0 PSIG=0 mVDC; 70 PSIG=70 mVDC   |
| 9) OUTPUT VOLTAGE            | : 10 VDC ±1% (0.5% @ 25°C) - 15 mADC MAX  |
| 10) POWER SUPPLY             | : 28 VDC (FROM 20 TO 32 VDC), 4W MAX.   |
| 11) CASE                     | : 2" ROUND CASE PER MS33639 PAINTED DULL BLACK<br>: COLOR N.37038 PER FED-STD-595A.   |
| 12) SEALING                  | : ENVIRONMENTAL SEALING (O-RING).   |
| 13) DIAL                     | : COLOR PER FED-STD-595A, EXCEPT AS NOTED<br>: BACKGROUND: BLACK No 37038.<br>: MARKING: WHITE No 37875.<br>: CHARACTERS: FUTURA MEDIUM TYPE<br>: OIL: HEIGHT 5.0mm / NUMERALS: 2.8mm / °C-PSI: 2,7mm<br>: MARKINGS: MAJOR: 5.2 X 0.7mm; MINOR: 3.0 X 0.4; RED RADIAL: 5.3 X 1.2mm<br>: RED TRIANGLE: 2.2 X 2.2mm / ARCS: WIDE 2.0mm<br>: RANGE MARKING:<br>: 1) GREEN ARC FROM 30 TO 127°C, COLOR NAZDAR No 5592<br>: YELLOW ARC FROM 127 TO 140°C, COLOR No 33538 FED-STD 595A<br>: RED RADIAL AT 140°C, COLOR NAZDAR No 5595<br>: RED TRIANGLE AT 149°C, COLOR NAZDAR No 5595<br>: 2) YELLOW ARC FROM 25 TO 38 PSI, COLOR No 33538 FED-STD 595A<br>: GREEN ARC FROM 38 TO 46 PSI, COLOR NAZDAR No 5592<br>: YELLOW ARC FROM 46 TO 55 PSI, COLOR No 33538 FED-STD 595A<br>: RED RADIAL AT 25 AND 46 PSI, COLOR NAZDAR No 5595<br>: RED TRIANGLE AT 55 PSI, COLOR NAZDAR No 5595 |
| 14) VISIBILITY               | : 30 DEGREES MINIMUM.   |
| 15) POINTERS                 | : WHITE, COLOR N.37875 PER FED-STD-595A.  |
| 16) NAMEPLATE                | : MINIMUM INFORMATION ARE:<br>: NOMECLATURE, MANUFACTURER P/N, SERIAL NUMBER,<br>: MFG DATE, MANUFACTURER NAME AND CODE.  |
| 17) GLASS                    | : ANTIREFLECTIVE PER MIL-C-14806.   |
| 18) TEMPERATURE RANGE        | : OPERATING TEMPERATURE FROM -30°C TO + 70°C<br>: STORAGE TEMPERATURE FROM -54°C TO +85°C   |
| 19) WEIGHT                   | : 0,35 KG MAX.  |
| 20) GENERAL REQUIREMENTS     | : INSULATION RESISTANCE, 20 MOHM MIN AT 250 VDC<br>: INPUT COMMON VOLTAGE: RANGE FROM 2.6 TO 6.5 VDC<br>: ERROR 0.2% / V MAX<br>: INPUT COMMON VOLTAGE: RANGE FROM 2.6 TO 6.5 VDC<br>: POWER OFF: POINTERS BELOW MINIMUM MARK<br>: INJECTED CURRENT: 20mA MAX (TEMPERATURE)<br>: EXTERNAL ELECTRICAL ZERO ADJ. (PRESSURE ONLY) RANGE ADJ ±3 mV<br>: TSO C43 TYPE (TEMPERATURE) AND TSO C47 TYPE II (PRESSURE)   |
| 21) ENVIRONMENTAL CONDITIONS | : ACCORDING TO DO160B CATEGORIES: TEMPERATURE -D1;<br>: TEMPERATURE VARIATION -B; HUMIDITY -A; VIBRATION -J;<br>: SHOCK - OPERATIONAL; MAGNETIC EFFECT -Z; POWER INPUT -Z;<br>: VOLTAGE SPIKE -A; AUDIO FREQUENCY CONDUCTED -Z; EMC -Z.   |
| 22) MTBF                     | : > 15000 HOURS MINIMUM   |
| 22) LIGHTING                 | : WHITE PER MIL-L-27160; POWER SUPPLY 5 VDC - 2 W MAX   |



## CONNECTOR PINS



## REV 1 INSTRUMENT

DIMENSIONS ARE IN mm

DISEGN.	QUESTO DISEGNO/SPECIFICA RILASCIATO DALLA FAREM S.R.L. E' STRETTAMENTE CONFIDENZIALE, NON PUO' ESSERE RIPRODOTTO O DIVULGATO IN ALCUN MODO SENZA L'AUTORIZZAZIONE SCRITTA DELLA DITTA.				
RIGGIO					
CONTROLL.	TOLLERANZA SULLE MISURE : 0,1 - SUGLI ANGOLI 1/2 GRADO - SEGNI DI LAVORAZIONE  DOVE NON INDICATO DIVERSAMENTE.				
DATA	MATERIALE	4	26-9-02	5134	ZANABONI
26-09-02		3	10.05.02	5120	---
		2	18.10.01	5084	---
		1	11.07.01	5070	---
		0	29.06.01	---	---
SCALA	FINITURA	N°	DATA	MODIF.	DIS.
1:1					
O.TA'	<b>FAREM S.R.L.</b>	DISEGNO N° 14DB30 TYP 1861			
	DENOMINAZIONE	ORIGINE			
	OIL TEMP/PRESS INDICATOR				