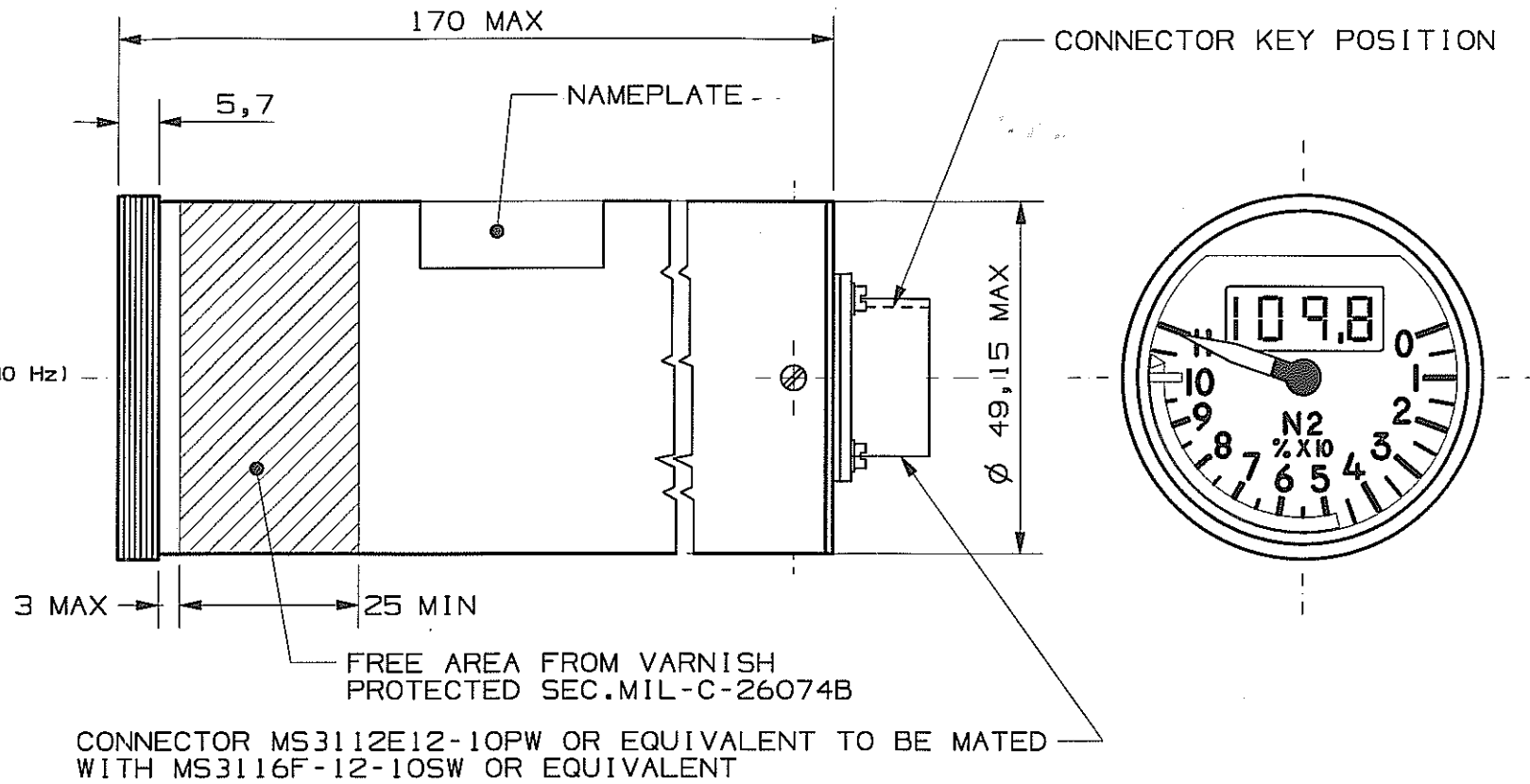


TECHNICAL REQUIREMENTS

- | | |
|------------------------------|---|
| 1) TYPE | : SERVO OPERATING AND 4 DIGIT INCANDESCENT DISPLAY |
| 2) RANGE | : ANALOGUE FROM 0 TO 110% RPM, SCALE 210 DEGREES
DIGITAL FROM 0 TO 110% |
| 3) ACCURACY (% F.S.) | : ANALOGUE: ±1% (±0,8 AT AMBIENT TEMPERATURE)
DIGITAL: ±0.25 (±0,2% AT AMBIENT TEMPERATURE) |
| 4) INPUT IMPEDANCE | : 15 KOHMS MINIMUM. |
| 5) SIGNAL SOURCE | : 1.5 Vpp MIN. TO 30 Vpp MAX FROM 9%(1023 Hz) TO 100%(10230 Hz) |
| 6) CALIBRATION | : 0%= 0 Hz; 100%= 10230 Hz |
| 7) POWER SUPPLY | : 28 VDC (FROM 12 TO 32 VDC), 6W MAX. |
| 8) POSITION ERROR | : / |
| 9) FRICTION ERROR | : / |
| 10) LIGHTING | : WHITE PER MIL-L-27160; POWER SUPPLY 5VDC - 2W MAX. |
| 11) CASE | : 2" ROUND CASE PER MS33639. PAINTED, DULL BLACK
COLOR N° 37038 PER FED-STD-595A.
BACKGROUND: BLACK N.37038.
MARKING: WHITE N° 37875.
CHARACTERS: FUTURA MEDIUM TYPE
NUMERALS: HEIGHT 3.8 mm
N2: HEIGHT 3.2 mm
%X10: HEIGHT 2,4 mm
MARKINGS: MAJOR= 4.6 X 0.8 mm
MINOR= 3.5 X 0.4 mm
RED RADIAL= 4.6 X 1.3 mm
RED TRIANGLE= 2.1 HIGH x 2.1 mm WIDE
ARCS= 2.1 mm WIDE
RANGE MARKINGS:
-GREEN ARC FROM 48 TO 100% RPM, COLOR NAZDAR No 5592
-YELLOW ARC FROM 100 TO 103% RPM COLOR No 33538 FED-STD 595A
-RED RADIAL AT 100% RPM, COLOR NAZDAR No 5595
-RED TRIANGLE AT 103% RPM, COLOR NAZDAR No 5595 |
| 12) SEALING | : ENVIRONMENTAL SEALING ("O"RING). |
| 13) DIAL | : COLOR PER FED-STD-595A. |
| 14) VISIBILITY ANGLE | : 20 DEGREES MINIMUM. |
| 15) POINTER | : WHITE, COLOR N° 37875 PER FED-STD-595A. |
| 16) NAMEPLATE | : MINIMUM INFORMATION ARE:
NOMENCLATURE, MANUFACTURER P/N, SERIAL NUMBER,
MFG DATE, MANUFACTURER NAME AND CODE. |
| 17) GLASS | : ANTIREFLECTIVE PER MIL-C-14806. |
| 18) OPER. TEMP. RANGE | : FROM -30° C TO +70° C |
| 19) STORAGE TEMPERATURE | : FROM -55° C TO +85° C |
| 20) WEIGHT | : 0,5 KG MAX |
| 21) GENERAL REQUIREMENTS | : INSULATION RESISTANCE, 20 MOHM MIN AT 250 VDC
: POWER OFF: POINTER BELOW MINIMUM MARK |
| 22) ENVIRONMENTAL CONDITIONS | : ACCORDING TO DO160B CATEGORIES: TEMPERATURE -D1;
- TEMPERATURE VARIATION-C; HUMIDITY -A; VIBRATION -J;
- SHOCK - OPERATIONAL; MAGNETIC EFFECT -Z; POWER INPUT -Z;
- VOLTAGE SPIKE -A; AUDIO FREQUENCY CONDUCTED -Z; EMC -Z. |
| 23) DIGITAL DISPLAY | : UP-DATE TIME 1.1 SECOND FOR Σ (ERROR) >1,2 RPM, ELSEWHERE 5 SECONDS
- SEVEN SEGMENTS CHARACTER TYPE - DIGIT HEIGHT 5.7 mm
- COLOR: BLU-WHITE
- BRIGHTNESS COORDINATE WITH DIAL LIGHTING VOLTAGE DISPLAY IS FULL BRIGHT AT 0 TO 1.15 ±0.1 VDC, INCREASE FROM MINIMUM BRIGHTNESS AT 1.15 ±0.1 VDC TO HALF BRIGHT AT 5 VDC |
| 24) MTBF | : 15000 HOURS MINIMUM |



CONNECTOR PINS

A	
B	28 VDC HI
C	28 VDC LO
D	LIGHTING HI
E	LIGHTING LO
F	SPEED SENSOR HI
G	SPEED SENSOR LO
H	
J	
K	CASE GROUND

MOD STATUS HW 1 / MOD STATUS SW 1 INSTRUMENT

DIMENSIONS ARE IN mm

DISEGN. RIGGIO	QUESTO DISEGNO/SPECIFICA RILASCIATO DALLA FAREM S.R.L. E' STRETTAMENTE CONFIDENZIALE, NON PUO' ESSERE RIPRODOTTO O DIVULGATO IN ALCUN MODO SENZA L'AUTORIZZAZIONE SCRITTA DELLA DITTA.				
CONTROLL. <i>Boyle</i>	TOLLERANZA SULLE MISURE ± 0,1 - SUGLI ANGOLI 1/2 GRADO - SEGNI DI LAVORAZIONE $\overline{\text{ZZ}}$ DOVE NON INDICATO DIVERSAMENTE.				
DATA 13.03.03	MATERIALE /	3	13.03.03	5150	<i>Boyle</i>
		2	10.05.02	5119	---
SCALA 1:1	FINITURA /	1	28-08-01	5078	---
		0	29-06-01	---	---
Q.TA' /	FAREM S.R.L.	N°	DATA	MODIF.	DIS.
PESO /		DISEGNO N° 15DM16A TYP 1860			
	DENOMINAZIONE TACHOMETER IND. (N2)	ORIGINE			