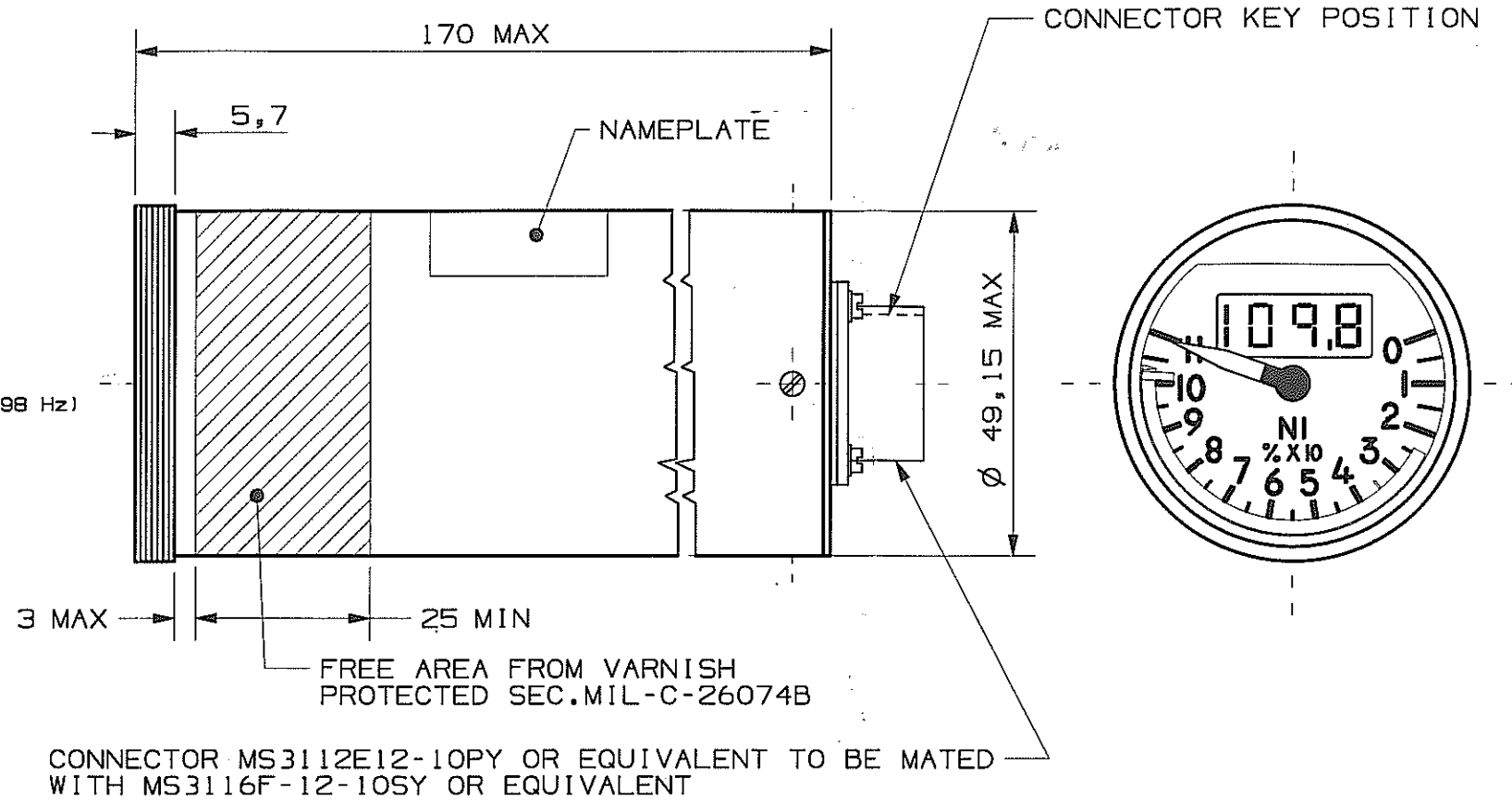


TECHNICAL REQUIREMENTS

- 1) TYPE : SERVO OPERATING AND 4 DIGIT INCANDESCENT DISPLAY
- 2) RANGE : ANALOGUE FROM 0 TO 110% (SCALE 210 DEGREES)
- 3) ACCURACY (% F.S.) : ANALOGUE: 1%(0,8% AT AMBIENT TEMPERATURE)
: DIGITAL: ±0,2% AT AMBIENT TEMPERATURE
±0,25% AT EXTREME OPERATING TEMPERATURE
- 4) INPUT IMPEDANCE : 15 KOHM MINIMUM.
- 5) SIGNAL SOURCE : 1.5 Vpp MIN. TO 30 Vpp MAX FROM 9%(900 Hz) TO 100%(9998 Hz)
- 6) CALIBRATION : 0% = 0 Hz; 100% = 9998 Hz
- 7) POWER SUPPLY : 28 VDC (FROM 12 TO 32 VDC), 6W MAX.
- 8) POSITION ERROR : /
- 9) FRICTION ERROR : /
- 10) LIGHTING : WHITE PER MIL-L-27160; POWER SUPPLY 5 VDC - 2W MAX.
- 11) CASE : 2" ROUND CASE PER MS33639. PAINTED, DULL BLACK
COLOR N° 37038 PER FED-STD-595A.
ENVIRONMENTAL SEALING ("O"RING)
COLOR PER FED-STD-595A.
BACKGROUND: BLACK N.37038.
MARKING: WHITE No 37875.
CHARACTERS: FUTURA MEDIUM TYPE
NUMERALS: HEIGHT 3.8 mm
NI: HEIGHT 3.2 mm
%X10: HEIGHT 2.4 mm
MARKINGS: MAJOR= 4.6 X 0,8
MINOR= 3.5 X 0.4
RED RADIAL= 4.6 X 1.3 mm
RED TRIANGLE= 0,8 HIGH x 2.1 WIDE
ARCS= 2.1 WIDE
RANGE MARKINGS:
-GREEN ARC FROM 24 TO 101.5% RPM, COLOR NAZDAR No 5592
-YELLOW ARC FROM 101.5 TO 103% RPM, COLOR 33538 FED-STD 595A
-RED LINE AT 101.5% RPM, COLOR NAZDAR No 5595
-RED TRIANGLE AT 103% RPM, COLOR NAZDAR No 5595
- 14) VISIBILITY ANGLE : 20 DEGREES MINIMUM.
- 15) POINTER : WHITE, COLOR No 37875 PER FED-STD-595A.
- 16) NAMEPLATE : MINIMUM INFORMATION ARE:
NOMENCLATURE, MANUFACTURER P/N, SERIAL NUMBER,
MFG DATE, MANUFACTURER NAME AND CODE.
: ANTIREFLECTIVE PER MIL-C-14806.
- 17) GLASS : FROM -30°C TO +70°C
- 18) OPER. TEMP. RANGE : FROM -55°C TO +85°C
- 19) STORAGE TEMPERATURE : 0,5 KG MAX
- 20) WEIGHT : INSULATION RESISTANCE, 20 MEGAOHMS MIN AT 250 VDC
: POWER OFF: POINTER BELOW MINIMUM MARK
- 21) GENERAL REQUIREMENTS : ACCORDING TO DO160B CATEGORIES: TEMPERATURE -DI;
TEMPERATURE VARIATION -C; HUMIDITY -A; VIBRATION -J;
SHOCK -OPERATIONAL; MAGNETIC EFFECT -Z; POWER INPUT -Z;
VOLTAGE SPIKE -A; AUDIO FREQUENCY CONDUCTED -Z; EMC -Z.
- 23) DIGITAL DISPLAY : UP-DATE TIME 1.1 SECOND FOR Σ (ERROR) >1,2 RPM, ELSEWHERE 5 SECONDS
- SEVEN SEGMENTS CHARACTER TYPE - DIGIT HEIGHT 5.7 mm
- COLOR: BLU-WHITE
- BRIGHTNESS COORDINATE WITH DIAL LIGHTING VOLTAGE DISPLAY IS FULL
BRIGHT AT 0 TO 1.15 ±0.1 VDC, INCREASE FROM MINIMUM BRIGHTNESS
AT 1.15 ±0.1 VDC TO HALF BRIGHT AT 5 VDC
- 24) MTBF : 15000 HOURS MINIMUM



CONNECTOR PINS

- A -
- B - 28 VDC HI
- C - 28 VDC LO
- D - LIGHTING HI
- E - LIGHTING LO
- F - SPEED SENSOR INPUT HI
- G - SPEED SENSOR INPUT LO
- H -
- J -
- K - CASE GROUND

MOD STATUS HW 1 / MOD STATUS SW 1 INSTRUMENT

DIMENSIONS ARE IN mm

DISEGN. RIGGIO	QUESTO DISEGNO/SPECIFICA RILASCIATO DALLA FAREM S.R.L. E' STRETTAMENTE CONFIDENZIALE, NON PUO' ESSERE RIPRODOTTO O DIVULGATO IN ALCUN MODO SENZA L'AUTORIZZAZIONE SCRITTA DELLA DITTA.				
CONTROLL. <i>[Signature]</i>	TOLLERANZA SULLE MISURE ± 0,1 - SUGLI ANGOLI 1/2 GRADO - SEGNI DI LAVORAZIONE ∇ DOVE NON INDICATO DIVERSAMENTE.				
DATA 13.03.03	MATERIALE /	3	13.03.03	5149	<i>[Signature]</i>
SCALA 1:1	FINITURA /	2	10.05.02	5118	<i>[Signature]</i>
Q.TA' /	FAREM S.R.L.	1	28.08.01	5078	---
PESO /		0	29.06.01	---	---
DENOMINAZIONE TACHOMETER IND. (N1)		N°	DATA	MODIF.	DIS. CONTR.
		DISEGNO N° 15DM16 TYP 1859			
		ORIGINE			