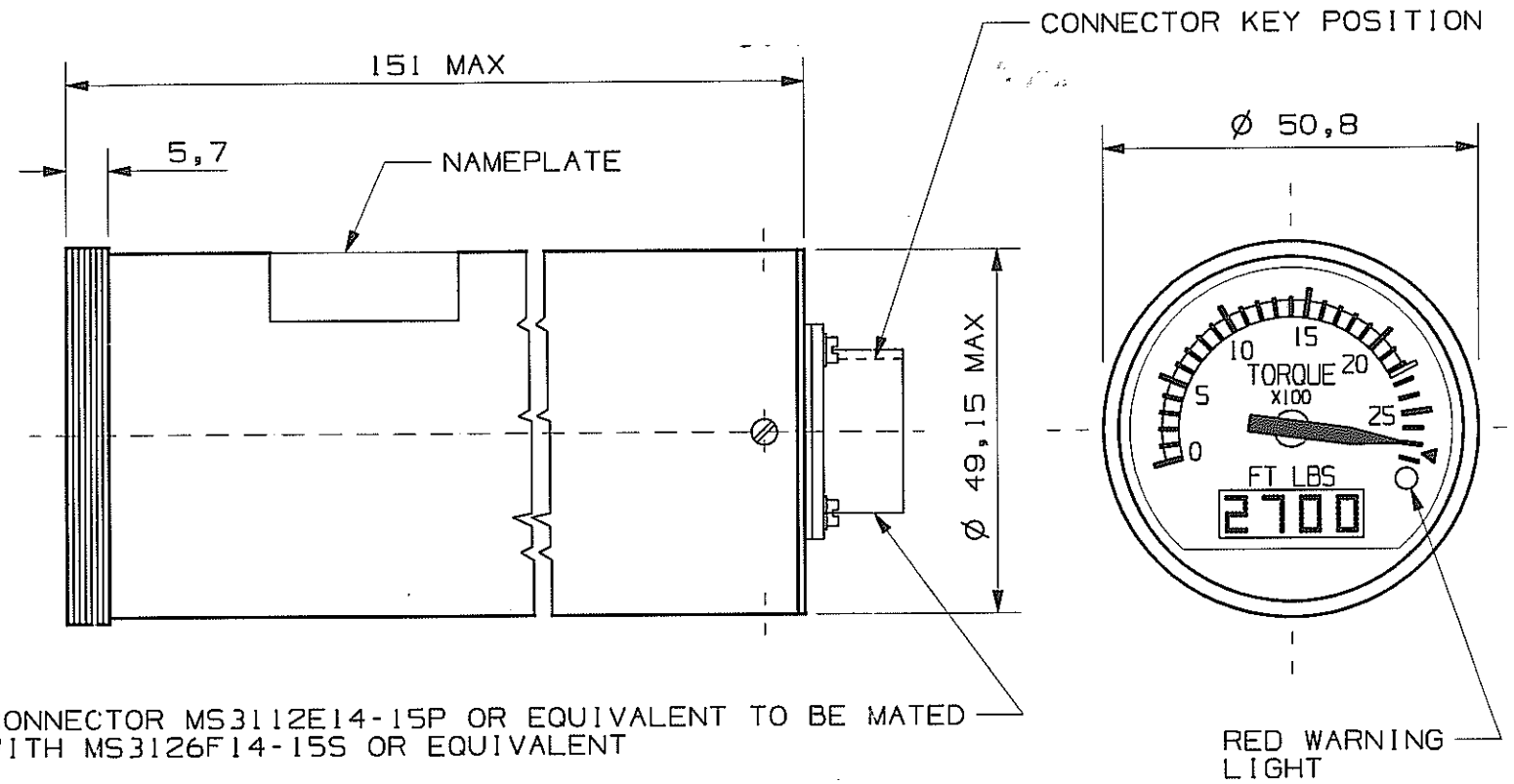


TECHNICAL REQUIREMENTS

- 1) TYPE : GALVANOMETER AND 4 DIGIT LED DISPLAY
- 2) RANGE : FROM 0 TO 2800 FT/LBS, SCALE 210 DEGREES.
- 3) ACCURACY (1/2 F.S.) : ANALOGUE: ±2% AT AMBIENT TEMPERATURE  
±3% AT EXTREME OPERATING TEMPERATURE  
: DIGITAL: ±0,25% AT AMBIENT TEMPERATURE  
±0,4% AT EXTREME OPERATING TEMPERATURE
- 4) INPUT IMPEDANCE : 5 KOHMS MINIMUM.
- 5) SIGNAL SOURCE : VOLTAGE FROM 0 TO 6,2 VDC
- 6) CALIBRATION : 0 FT/LBS= 0; 2293 FT/LBS= 5 VDC
- 7) POWER SUPPLY : 28 VDC (FROM 12 TO 32 VDC), 6W MAX.
- 8) POSITION ERROR : <2% F.S. MAX.
- 9) FRICTION ERROR : <2% F.S. MAX.
- 10) LIGHTING : WHITE PER MIL-L-27160; POWER SUPPLY 5VDC - 2W MAX.
- 11) CASE : 2" ROUND CASE PER MS33639. PAINTED, DULL GRAY  
COLOR N° 36118 PER FED-STD-595A.  
: ENVIRONMENTAL SEALING ("O"RING).  
: COLOR PER FED-STD-595A.  
BACKGROUND: BLACK N° 37038.  
MARKING: WHITE N° 37875.  
CHARACTERS: TYPE R41 MERCATOR "E"  
NUMERALS: HEIGHT 2,4 mm  
TORQUE: HEIGHT 2,7 mm  
FT LBS: HEIGHT 2,6 mm  
X 100: HEIGHT 1,8 mm  
MARKINGS: MAJOR: 4 X 0,6 MM  
MINOR: 2,7 X 0,5 mm  
RED LINE: 4 X 0,6 mm  
RED TRIANGLE: 2 mm
- 12) SEALING
- 13) DIAL : RANGE MARKINGS:  
-GREEN ARC FROM 0 TO 2230 FT/LBS, COLOR N° 38901  
-RED LINE AT 2230 FT/LBS, COLOR N° 38905  
-RED TRIANGLE AT 2750 FT/LBS, COLOR N° 38905
- 14) VISIBILITY ANGLE : 20 DEGREES MINIMUM.
- 15) POINTER : WHITE, COLOR N° 37875 PER FED-STD-595A.
- 16) NAMEPLATE : MINIMUM INFORMATIONS ARE:  
NOMENCLATURE, MANUFACTURER P/N, SERIAL NUMBER,  
MFG DATE, MANUFACTURER NAME AND CODE.
- 17) GLASS : ANTIREFLECTIVE PER MIL-C-675.
- 18) OPER. TEMP. RANGE : FROM -35°C TO +60°C
- 19) STORAGE TEMPERATURE : FROM -55°C TO +85°C
- 20) WEIGHT : 0,4 KG MAX
- 21) GENERAL REQUIREMENTS : - REFERENCE TO PIAGGIO SPECIFICATION "PS 180-77-04 REV. 0"  
- ENVIRONMENTAL: DO 160B CAT. DICA011MXXXXFSBZAZZZZ
- 22) DIGITAL DISPLAY : UP-DATE TIME 1 SECOND FOR Σ >30 FT LBS, ELSEWHERE 4.5 SECONDS  
DOT MATRIX CHARACTERS TYPE - DIGIT HEIGHT 4,8 mm  
BRIGHTNESS COORDINATE WITH EXT. DIMMING POT.  
COLOR YELLOW
- 23) MTBF : 5000 HOURS MIN. EXCLUDING FILAMENTS
- 24) WARNING LIGHT : ON STATE: COLOR RED, SETTING VALUE REFERED TO DIGITAL DISPLAY  
ON STATE > 2235 ±1 FT/LBS  
OFF STATE < 2220 ±1 FT/LBS



CONNECTOR PINS

- A - +28 VDC POWER SUPPLY
- J - DIM POT. EXCIT. OUT
- B - 28 VDC RTN POWER SUPPLY
- K - DIM SIGNAL IN
- C - +5 VDC TO LAMPS
- L -
- D - -5 VDC TO LAMPS (GND)
- M -
- E - CASE GND
- N -
- F - SIGNAL INPUT (H)
- P -
- G - SIGNAL INPUT (L)
- R - DIGITAL DISPLAY TEST
- H -

DIMENSIONS ARE IN mm

DISEGN. RIGGIO	QUESTO DISEGNO/SPECIFICA RILASCIATO DALLA FAREM S.R.L. E' STRETTAMENTE CONFIDENZIALE, NON PUO' ESSERE RIPRODOTTO O DIVULGATO IN ALCUN MODO SENZA L'AUTORIZZAZIONE SCRITTA DELLA DITTA.				
CONTROLL. <i>[Signature]</i>	TOLLERANZA SULLE MISURE ± 0,1 - SUGLI ANGOLI 1/2 GRADO - SEGNI DI LAVORAZIONE  DOVE NON INDICATO DIVERSAMENTE.				
DATA 13.12.01	MATERIALE	/	4	13.12.01	5092
SCALA 1:1	FINITURA	/	3	20.10.01	5085
Q.TA'	/		2	11.01.01	5032
PESO	/		1	07.09.00	5005
			0	15.03.00	----
			N°	DATA	MODIF. DIS. CONTR.
			DISEGNO N° 13DM09 TYP 1742		
			ORIGINE		