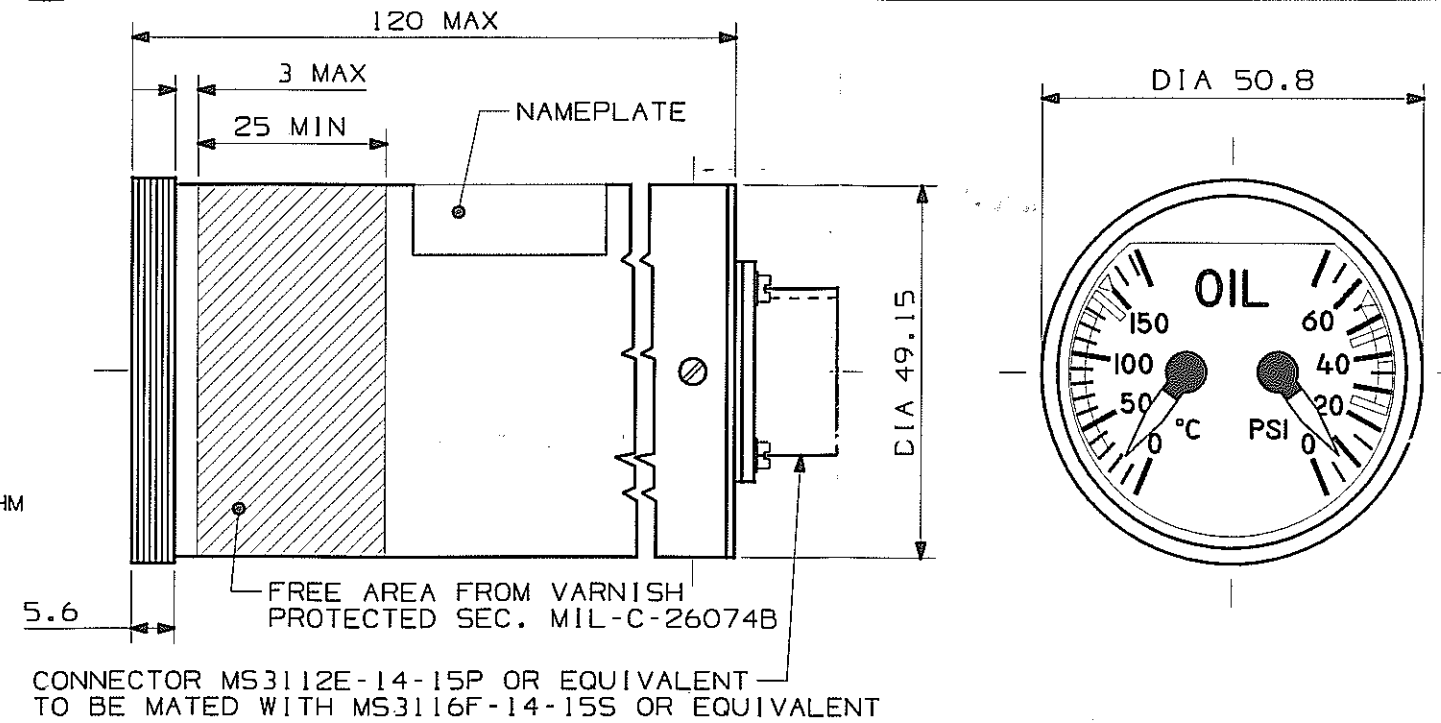
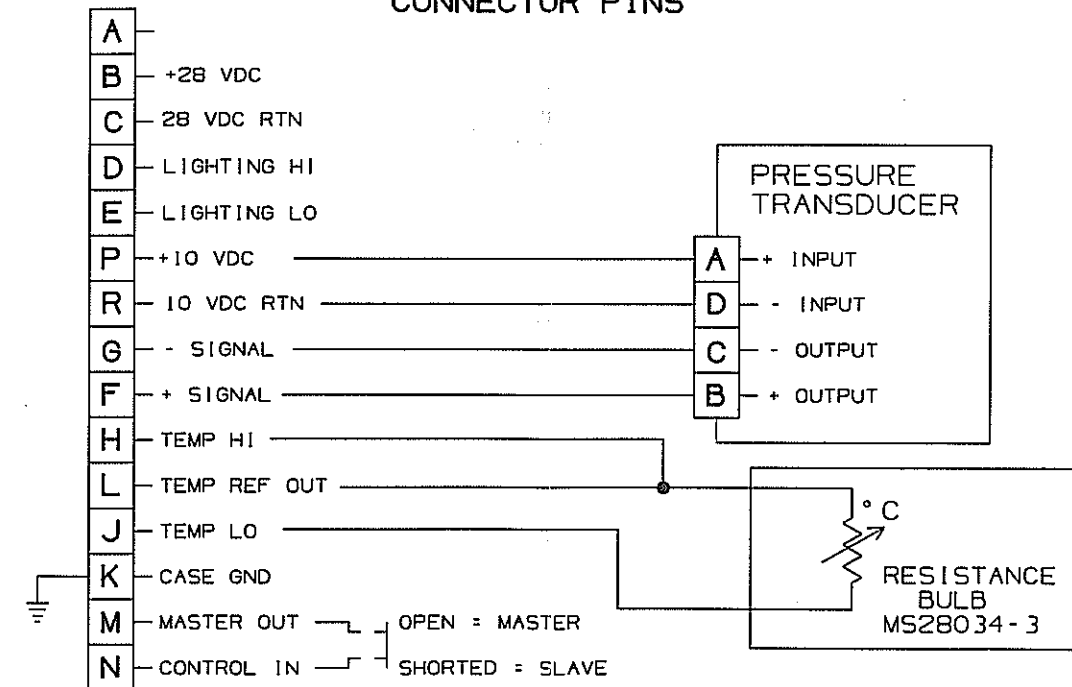


TECHNICAL REQUIREMENTS

- | | |
|------------------------------|---|
| 1) TYPE | : MOVING COIL, DUAL GALVANOMETER |
| 2) RANGE | : 1) TEMP: FROM 0 TO 175°C (SCALE 135 DEGREES).
: 2) PRESS: FROM 0 TO 70 PSI (SCALE 135 DEGREES).
: ± 3% (± 2% F.S. AT AMBIENT TEMP.) |
| 3) ACCURACY (% F.S.) | : ± 3% (± 2% F.S. AT AMBIENT TEMP.) |
| 4) FRICTION ERROR | : +/- 2% MAX. |
| 5) POSITION ERROR | : +/- 2% MAX. |
| 6) INPUT IMPEDANCE | : / |
| 7) SIGNAL SOURCE | : 1) RESISTANCE BULB PER MS28034-3
: 2) PRESSURE TRANSDUCER 100 mV AT 100 PSI @ 10 VDC |
| 8) CALIBRATION | : 1) 0°C=90.38 OHM; 40°C=104.6 OHM; 80°C=120.36 OHM;
: 120°C=137.30 OHM; 150°C=151.91 OHM; 175°C=164.47 OHM
: 2) LINEAR, 0 PSIG=0 mVDC; 70 PSIG=70 mVDC |
| 9) OUTPUT VOLTAGE | : 10 VDC ±1% (0.5% @ 25°C) - 15 mADC MAX |
| 10) POWER SUPPLY | : 28 VDC (FROM 20 TO 32 VDC), 4W MAX. |
| 11) CASE | : 2" ROUND CASE PER MS33639 PAINTED DULL BLACK
: COLOR N.37038 PER FED-STD-595A. |
| 12) SEALING | : ENVIRONMENTAL SEALING (O-RING). |
| 13) DIAL | : COLOR PER FED-STD-595A, EXCEPT AS NOTED
: BACKGROUND: BLACK No 37038.
: MARKING: WHITE No 37875.
: CHARACTERS: FUTURA MEDIUM TYPE
: OIL: HEIGHT 5.0mm / NUMERALS: 2.8mm / °C-PSI: 2.7mm
: MARKINGS: MAJOR: 5.2 X 0.7mm; MINOR: 3.0 X 0.4; RED RADIAL: 5.3 X 1.2mm
: RED TRIANGLE: 2.2 X 2.2mm / ARCS: WIDE 2.0mm
: RANGE MARKING:
: 1) GREEN ARC FROM 30 TO 127°C, COLOR NAZDAR No 5592
: YELLOW ARC FROM 127 TO 140°C, COLOR No 33538 FED-STD 595A
: RED RADIAL AT 140°C, COLOR NAZDAR No 5595
: RED TRIANGLE AT 149°C, COLOR NAZDAR No 5595
: 2) YELLOW ARC FROM 25 TO 38 PSI, COLOR No 33538 FED-STD 595A
: GREEN ARC FROM 38 TO 46 PSI, COLOR NAZDAR No 5592
: YELLOW ARC FROM 46 TO 55 PSI, COLOR No 33538 FED-STD 595A
: RED RADIAL AT 25 AND 46 PSI, COLOR NAZDAR No 5595
: RED TRIANGLE AT 55 PSI, COLOR NAZDAR No 5595 |
| 14) VISIBILITY | : 30 DEGREES MINIMUM. |
| 15) POINTERS | : WHITE, COLOR N.37875 PER FED-STD-595A. |
| 16) NAMEPLATE | : MINIMUM INFORMATION ARE:
: NOMECLATURE, MANUFACTURER P/N, SERIAL NUMBER,
: MFG DATE, MANUFACTURER NAME AND CODE. |
| 17) GLASS | : ANTIREFLECTIVE PER MIL-C-14806. |
| 18) TEMPERATURE RANGE | : OPERATING TEMPERATURE FROM -30°C TO + 70°C
: STORAGE TEMPERATURE FROM -54°C TO +85°C |
| 19) WEIGHT | : 0,35 KG MAX. |
| 20) GENERAL REQUIREMENTS | : INSULATION RESISTANCE, 20 MOHM MIN AT 250 VDC
: INPUT COMMON VOLTAGE: RANGE FROM 2.6 TO 6.5 VDC
: ERROR 0.2% / V MAX
: INPUT COMMON VOLTAGE: RANGE FROM 2.6 TO 6.5 VDC
: POWER OFF: POINTERS BELOW MINIMUM MARK
: INJECTED CURRENT: 20mA MAX (TEMPERATURE)
: EXTERNAL ELECTRICAL ZERO ADJ. (PRESSURE ONLY) RANGE ADJ ±3 mV
: TSO C43 TYPE (TEMPERATURE) AND TSO C47 TYPE II (PRESSURE) |
| 21) ENVIRONMENTAL CONDITIONS | : ACCORDING TO DO160B CATEGORIES: TEMPERATURE -D1;
: TEMPERATURE VARIATION -B; HUMIDITY -A; VIBRATION -J;
: SHOCK - OPERATIONAL; MAGNETIC EFFECT -Z; POWER INPUT -Z;
: VOLTAGE SPIKE -A; AUDIO FREQUENCY CONDUCTED -Z; EMC -Z. |
| 22) MTBF | : > 15000 HOURS MINIMUM |
| 22) LIGHTING | : WHITE PER MIL-L-27160; POWER SUPPLY 5 VDC - 2 W MAX |



CONNECTOR PINS



REV 1 INSTRUMENT

DIMENSIONS ARE IN mm

DISEGN.	QUESTO DISEGNO/SPECIFICA RILASCIATO DALLA FAREM S.R.L. E' STRETTAMENTE CONFIDENZIALE, NON PUO' ESSERE RIPRODOTTO O DIVULGATO IN ALCUN MODO SENZA L'AUTORIZZAZIONE SCRITTA DELLA DITTA.				
RIGGIO					
CONTROLL.	TOLLERANZA SULLE MISURE : 0,1 - SUGLI ANGOLI 1/2 GRADO - SEGNI DI LAVORAZIONE / DOVE NON INDICATO DIVERSAMENTE.				
DATA	MATERIALE	4	26-9-02	5134	ZANABONI
26-09-02		3	10.05.02	5120	---
		2	18.10.01	5084	---
SCALA	FINITURA	1	11.07.01	5070	---
1:1		0	29.06.01	---	---
Q.TA'	FAREM S.R.L.	N°	DATA	MODIF.	DIS.
	DENOMINAZIONE	DISEGNO N° 14DB30 TYP 1861			
PESO	OIL TEMP/PRESS INDICATOR	ORIGINE			