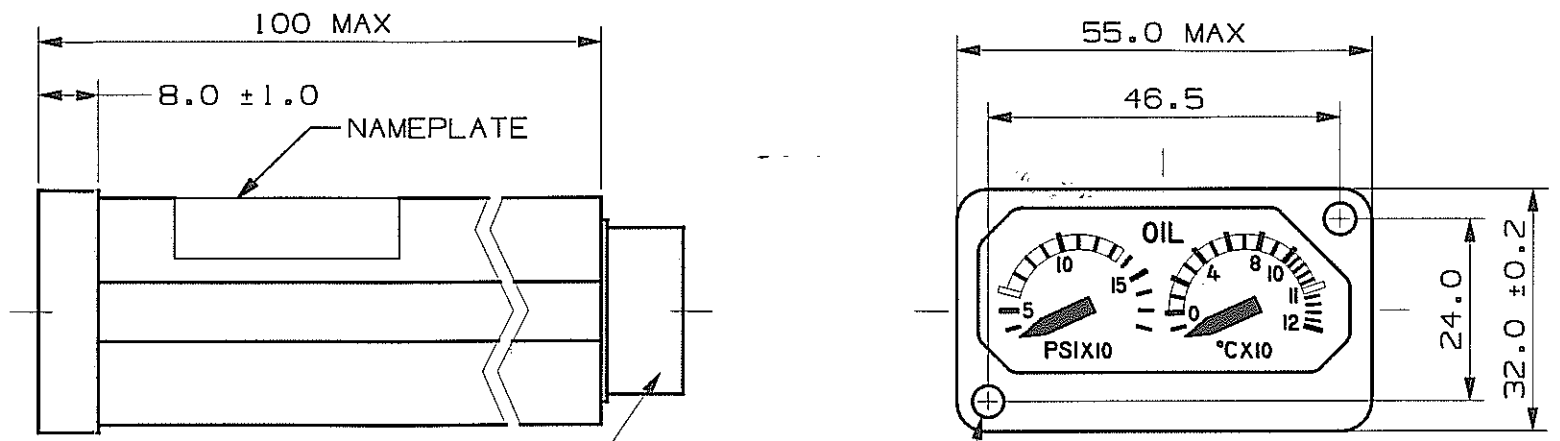


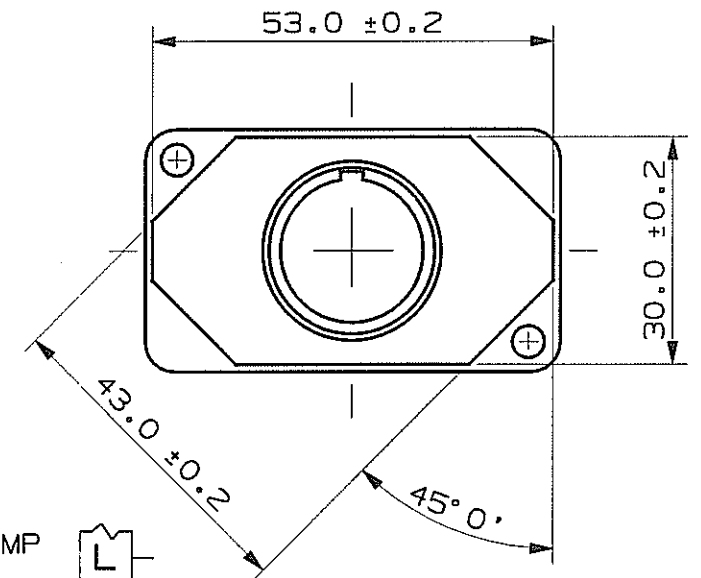
TECHNICAL REQUIREMENTS

- 1) TYPE : DUAL MOVING COIL GALVANOMETER
- 2) RANGE : 1) TEMP: FROM -10 TO 120°C (SCALE 210 DEGREES)
EXPANDED SCALE FROM 100 TO 120°C (66.15 DEGREES)
: 2) PRESS: FROM 40 TO 180 PSI (SCALE 210 DEGREES)
- 3) ACCURACY : 1) TEMP: AMBIENT TEMPERATURE:
±1,5% F.S. FROM 100 TO 120°C; ELSEWHERE 2,8% F.S.
AT EXTREME OPERATING TEMPERATURE:
±2% F.S. FROM 100 TO 120°C; ELSEWHERE 4.5% F.S.
: 2) PRESS: ± 2% F.S. AT AMBIENTE TEMPERATURE;
± 3,5% F.S. AT EXTREME OPERATING TEMPERATURE.
- 4) FRICTION ERROR : ± 2% MAX.
- 5) POSITION ERROR : ± 2% MAX.
- 6) INPUT IMPEDANCE : 1) TEMP: N/A
: 2) PRESS: 5 KOHM MINIMUM.
- 7) SIGNAL SOURCE : 1) TEMP: BULB RESISTIVE PER MIL-B-7990
: 2) PRESS: VOLTAGE FROM 0 TO 6.5 VDC, LINEAR
- 8) CALIBRATION : 1) TEMP: 0°C=90,38 OHM; 40°C=104,6 OHM;
80°C=120,36 OHM; 120°C=137,78 OHM
EXT RESISTANCE 0,5 OHMS
: 2) PRESS: 0 PSI=0 VDC; 150 PSI=5 VDC
- 9) LIGHTING : WHITE PER MIL-L-27160; POWER SUPPLY 5VDC - 2W MAX
- 10) POWER SUPPLY : 1) TEMP: 28 VDC (FROM 20 TO 32 VDC), 1.5W MAX.
: 2) PRESS: N. A.
- 11) CASE : SEE FIGURE, PAINTED DULL GRAY, COLOR N° 36118 PER FED-STD-595A
- 12) SEALING : ENVIRONMENTAL SEALING ("O"RING).
- 13) DIAL : COLOR PER FED-STD-595A.
BACKGROUND: BLACK N° 37038.
MARKING: WHITE N° 37875.
CHARACTERS: PER MS 33558
OIL: HEIGHT 2,7mm
NUMERALS / X10: 2mm
PSI / °C: 2.2mm
MARKINGS:
MAJOR: 2,5 X 0,8mm
MINOR: 2 X 0,5mm
RED LINES: 3 X 0,8mm
ARCS: WIDE 2mm
RANGE MARKING:
1) TEMP: YELLOW ARC FROM 0 TO 20°C, N° 38907
GREEN ARC FROM 20 TO 104°C, N° 38901
YELLOW ARC FROM 104 TO 110°C, N° 38907
RED LINE AT 110°C, COLOR N° 38905
2) PRESS: YELLOW ARC FROM 60 TO 90 PSI, COLOR N° 38907
GREEN ARC FROM 90 TO 135 PSI, COLOR N° 38901
RED LINE AT 60 PSI, COLOR N° 38905.
- 14) VISIBILITY : 30 DEGREES MINIMUM.
- 15) POINTERS : WHITE, COLOR N.37875 PER FED-STD-595A.
- 16) NAMEPLATE : MINIMUM INFORMATION ARE:
NOMENCLATURE, MANUFACTURER P/N, SERIAL NUMBER,
MFG DATE, MANUFACTURER NAME AND CODE.
- 17) GLASS : ANTIREFLECTIVE PER MIL-C-675.
- 18) OPER. TEMP. RANGE : FROM -35°C TO + 60°C
- 19) WEIGHT : 0,25 KG MAX.
- 20) STORAGE TEMPERATURE : FROM -55°C TO +85°C
- 21) GENERAL REQUIREMENTS : -REFERENCE TO PIAGGIO SPECIFICATION "PS 180-77-04 REV. 0"
-ENVIRONMENTAL: DO 160B CAT. DICA011MXXXXFSBZAZZZZ
- 22) MTBF : > 5000 HOURS.



CONNECTOR MS3113H14-19PW
OR EQUIVALENT
TO BE MATED WITH MS3126F14-19SW
OR EQUIVALENT

NO. 2 HOLES
DIA 4.3



CONNECTOR PINS

- A - +28 VDC POWER SUPPLY
 - B - 28 VDC RTN POWER SUPPLY
 - C - +5 VDC TO LAMPS
 - D - -5 VDC TO LAMPS RTN
 - E - CASE GND
 - F - + SIGNAL
 - G - - SIGNAL
 - H -
 - J -
 - K -
 - L -
 - M -
 - N -
 - P -
 - R -
 - S -
 - T - + SIGNAL
 - U - - SIGNAL
 - V -
- } OIL TEMP
- } OIL TEMP
- } OIL PRESS

DIMENSIONS ARE IN mm

DISEGN. RIGGIO	QUESTO DISEGNO/SPECIFICA RILASCIATO DALLA FAREM S.R.L. E' STRETTAMENTE CONFIDENZIALE, NON PUO' ESSERE RIPRODOTTO O DIVULGATO IN ALCUN MODO SENZA L'AUTORIZZAZIONE SCRITTA DELLA DITTA.			
CONTROLL. <i>Boyley</i>	TOLLERANZA SULLE MISURE ± 0,1 - SUGLI ANGOLI 1/2 GRADO - SEGNI DI LAVORAZIONE DOVE NON INDICATO DIVERSAMENTE.			
DATA 13.12.01	MATERIALE /	2	13.12.01	5091
SCALA 1:1	FINITURA /	1	11.01.01	5037
Q.TA' /	FAREM S.R.L.	0	08.06.00	---
PESO /		DENOMINAZIONE OIL TEMP/PRESS INDICATOR		
		N°	DATA	MODIF.
		DISSEGNO N° 14DB25 TYP 1747		
		ORIGINE		