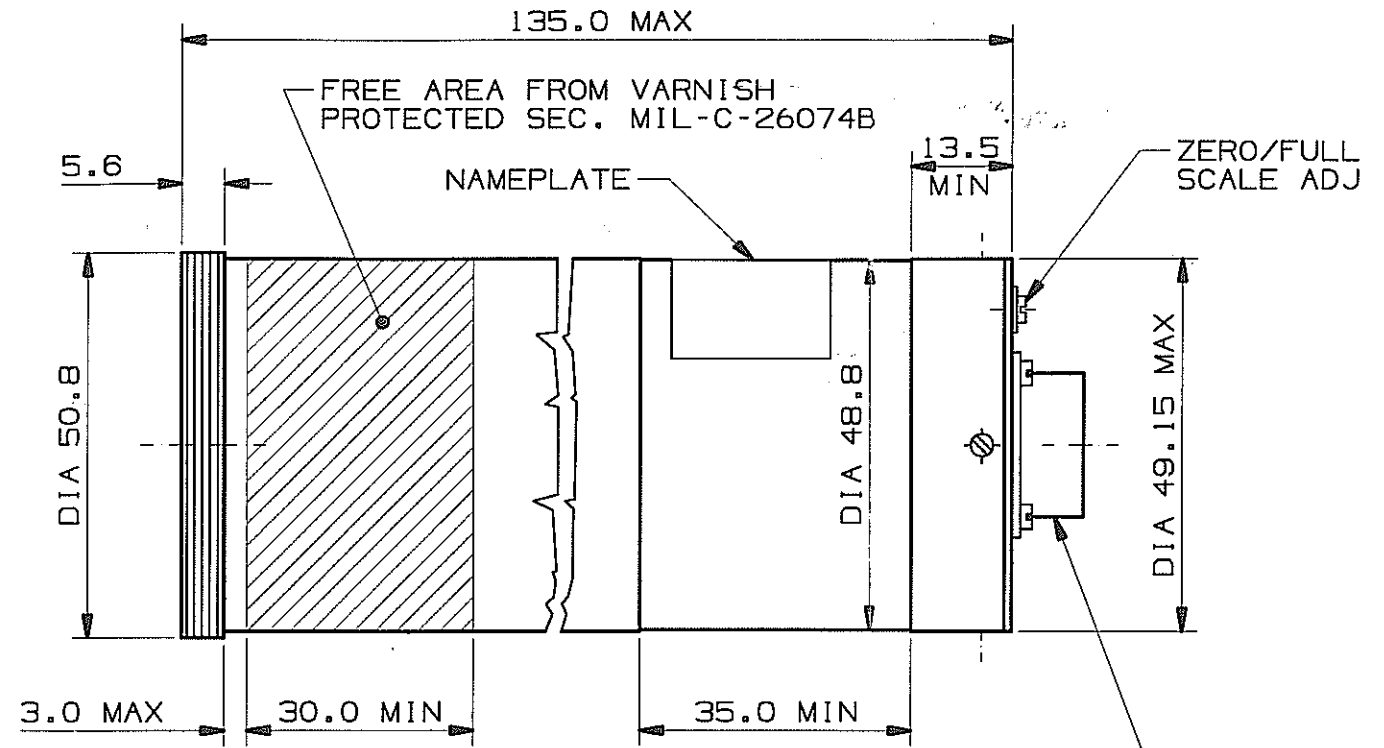
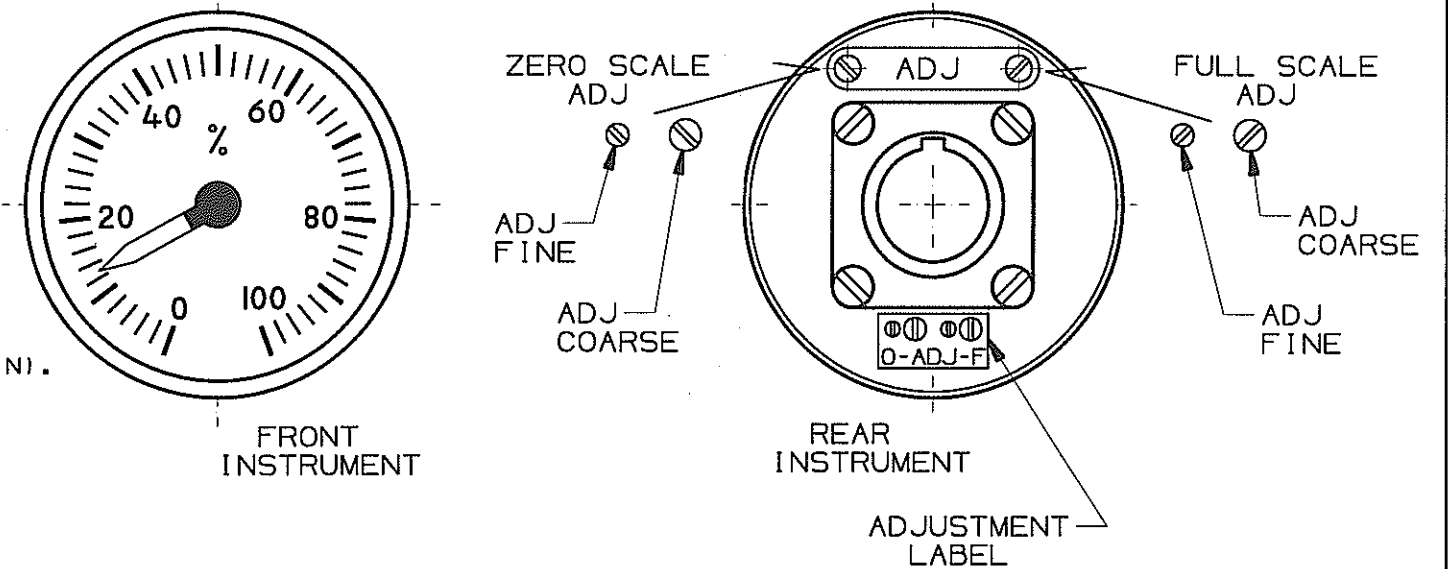


TECHNICAL REQUIREMENTS

- 1) MOVEMENT TYPE : SERVO OPERATING
- 2) RANGE : 0 TO 100% (SCALE 320 DEGREES).
- 3) ACCURACY : +/- 0,5% F.S. MAX
- 4) INPUT IMPEDANCE : 100 KOHM, DIFFERENTIAL
- 5) SIGNAL SOURCE : VOLTAGE, FROM -100mVdc TO +9Vdc
COMMON VOLTAGE FROM 0 TO +5 Vdc
REFERRED TO -28 Vdc POWER SUPPLY LINE
- 6) CALIBRATION : LINEAR, -100mVdc = 0%; 0mVdc = 50%;
+100mVdc = 100%
- 7) POWER SUPPLY : 28 VDC (FROM 12 TO 32 Vdc), 0,2 A MAX.
- 8) CASE : 2" ROUND CASE PER MS33639, PAINTED DULL ORANGE
- 9) SEALING : ENVIRONMENTAL SEALING ("O"RING).
- 10) DIAL : COLOR PER FED-STD-595A
BACKGROUND BLACK No 37038
MARKING: WHITE No 37875
- 11) VISIBILITY : 45 DEGREES MINIMUM.
- 12) POINTER : WHITE COLOR No 37875 PER FED-STD-595A.
- 13) NAMEPLATE : MINIMUM INFORMATION ARE:
NOMECLATURE, MANUFACTURER P/N, SERIAL NUMBER,
MFG DATE, MANUFACTURER NAME AND CODE.
- 14) GLASS : ANTIREFLECTIVE PER MIL-C-675.
- 15) TEMPERATURE RANGE : OPERATING TEMPERATURE FROM -40°C TO +85°C
- 16) WEIGHT : 0,40 KG MAX.
- 17) GENERAL REQUIREMENTS : INSULATION RESISTANCE, 20 MOHM MIN AT 250 Vdc
- 18) MTBF : > 5000 HOURS.
- 19) OTHER CHARACTERISTICS : EXTERNAL COARSE ADJ FOR MATCHING THE INPUT SIGNAL TO SCALE.
ZERO AND FULL SCALE ADJ (FINE) 3% MIN. RANGE.
: OUTPUT VOLTAGE 9,2 ±0,5 Vdc.
LOAD RES. 2 KOHM MIN.
OUTPUT REFERENCE = 50% ±2% OF OUTPUT VOLTAGE (LOAD: 100KOHM MIN).
: SIGNAL OUTPUT LOAD: 10 KOHM MIN.



CONNECTOR MS3112E-12-10P OR EQUIVALENT
TO BE MATED WITH
CONNECTOR MS3126F-12-10S OR EQUIVALENT



CONNECTOR PINS

A	+28 VDC
B	OUT REF (0,5 V out 1) 50% OF OUT 9,2 Vdc
C	RTN 28 Vdc
D	(-) INPUT SIGNAL
E	(+) INPUT SIGNAL
F	OUT 9,2 Vdc
G	RTN OUTPUT SIGNALS
H	OUT 0 TO 5 Vdc SIGNAL
J	RTN OUTPUT VOLTAGE
K	CASE GND

REV 1 INSTRUMENT

DIMENSIONS ARE IN mm

DISEGN.	RIGGIO	QUESTO DISEGNO/SPECIFICA RILASCIATO DALLA FAREM S.R.L. E' STRETTAMENTE CONFIDENZIALE, NON PUO' ESSERE RIPRODOTTO O DIVULGATO IN ALCUN MODO SENZA L'AUTORIZZAZIONE SCRITTA DELLA DITTA.					
CONTROLL.	<i>[Signature]</i>	TOLLERANZA SULLE MISURE ± 0,1 - SUGLI ANGOLI 1/2 GRADO - SEGNI DI LAVORAZIONE DOVE NON INDICATO DIVERSAMENTE.					
DATA	12.02.03	MATERIALE	/	4	12.02.03	5147	<i>[Signature]</i>
SCALA	1:1	FINITURA	/	3	10.03.99	4839	---
Q.TA'	/	FAREM S.R.L.					
PESO	/						DISEGNO N° 12DC03 TYP 1712
		DENOMINAZIONE			ORIGINE		
		PERCENTOMETER INDICATOR					